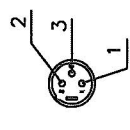
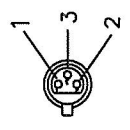
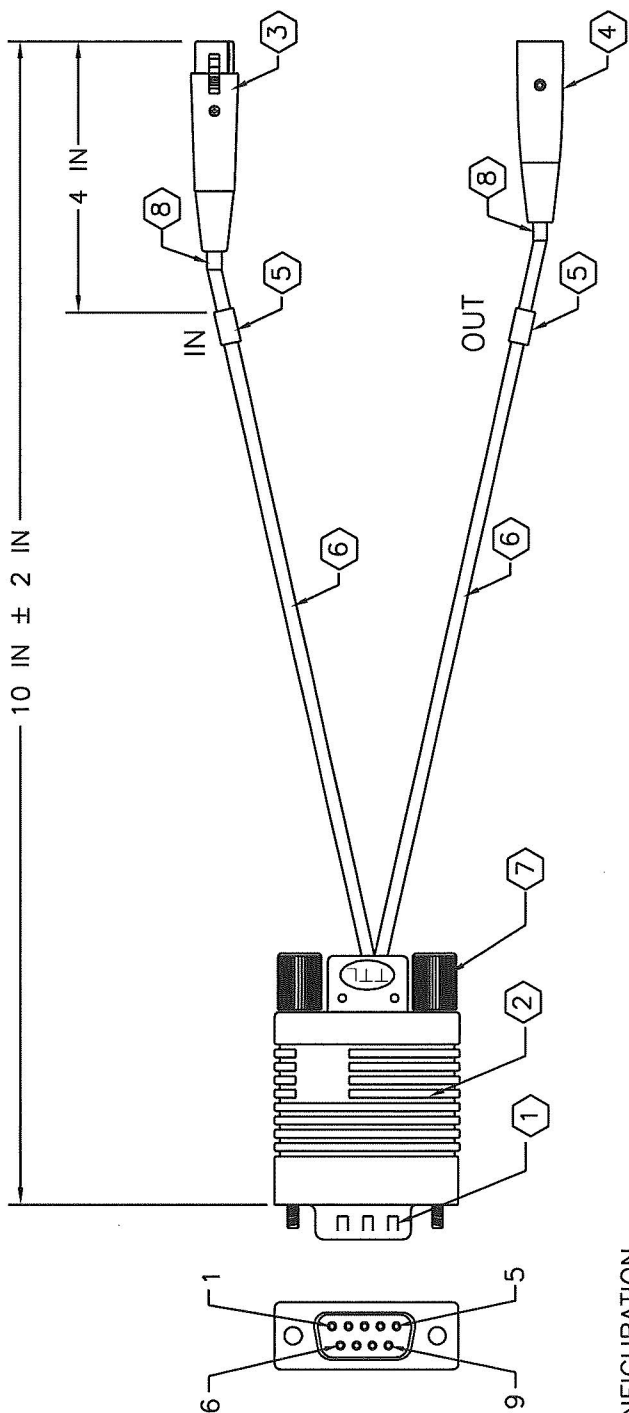
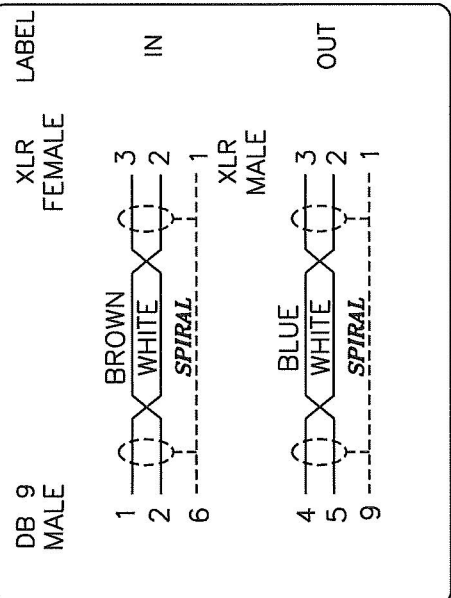


CUSTOMER'S APPROVAL: \_\_\_\_\_ DATE: \_\_\_\_\_

FIRST ARTICLE SAMPLE REQUIRED:  YES,  NO.



PINOUT CONFIGURATION



ITEM	DESCRIPTION	QTY.	UNIT
1	DB9-PIN MALE CONNECTOR	1	PCS.
2	BLACK MOLDED PVC HOOD	1	PCS.
3	XLR 3 PIN FEMALE (WITH ASSEMBLY HOOD)	1	PCS.
	P/N : XLR-C19		
4	XLR 3 PIN MALE (WITH ASSEMBLY HOOD) P/N : XLR-C18	1	PCS.
5	LABEL	2	PCS.
6	(WIRE 24 AWG TWISTED PAIR*1P+SPIRAL	10	IN
	SHIELD, BLACK OUTER PVC JACKET)*2		
7	BLACK 4/40 THUMBSCREW	2	PCS.
8	HEAT SHRINK TUBING	2	PCS.