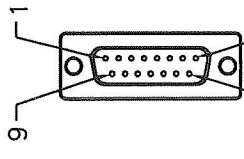
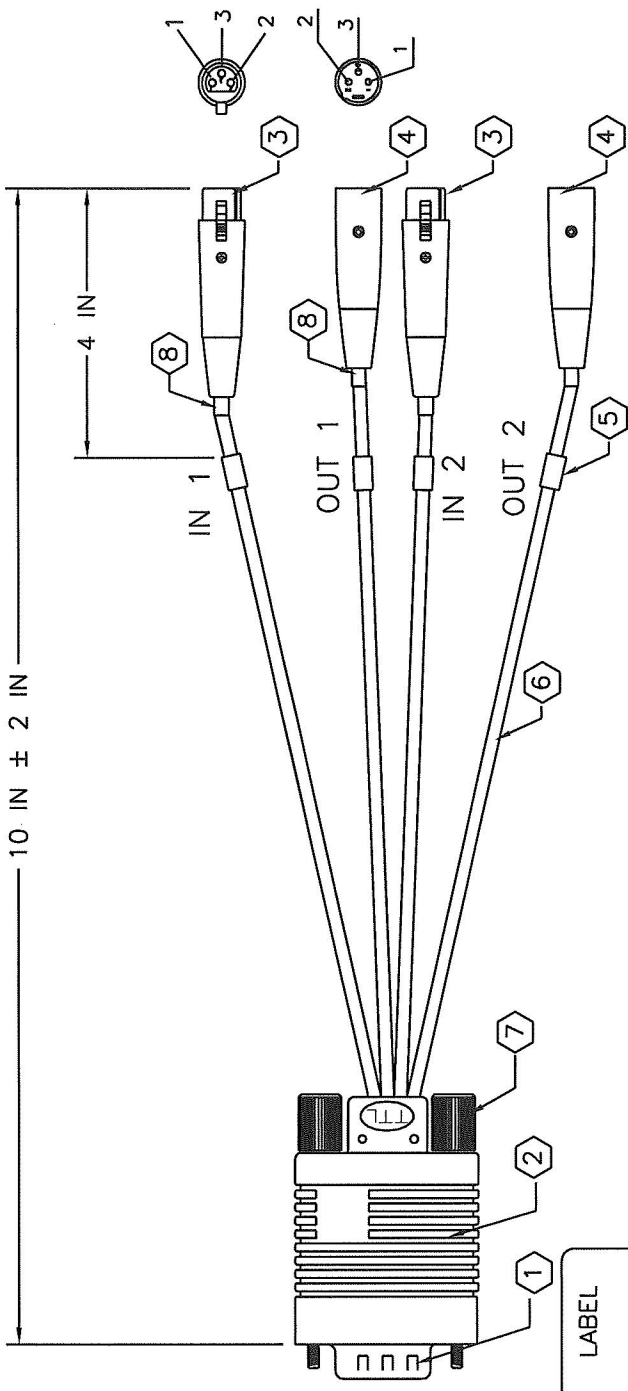


CUSTOMER'S APPROVAL: \_\_\_\_\_ DATE: \_\_\_\_\_

FIRST ARTICLE SAMPLE REQUIRED:  YES,  NO.



**PINOUT CONFIGURATION**

DB 15 MALE	XLR FEMALE	LABEL
5	BROWN	IN 1
13	WHITE	
6	SPIRAL	
2	BLACK	IN 2
10	WHITE	
3	SPIRAL	
7	GREEN	OUT 1
15	WHITE	
14	SPIRAL	
4	BLUE	OUT 2
12	WHITE	
11	SPIRAL	

ITEM	DESCRIPTION	QTY.	UNIT
1	DB15-PIN MALE CONNECTOR	1	PCS.
2	BLACK MOLDED PVC HOOD	1	PCS.
3	XLR 3 PIN FEMALE (WITH ASSEMBLY HOOD)	2	PCS.
	P/N : XLR-C19		
4	XLR 3 PIN MALE (WITH ASSEMBLY HOOD) P/N : XLR-C18	2	PCS.
5	LABEL	4	PCS.
6	(WIRE 24 AWG TWISTED PAIR*1P+SPIRAL	10	IN
	SHIELD, BLACK OUTER PVC JACKET)*4		
7	BLACK 4/40 THUMBSCREW	2	PCS.
8	HEAT SHRINK TUBING	4	PCS.