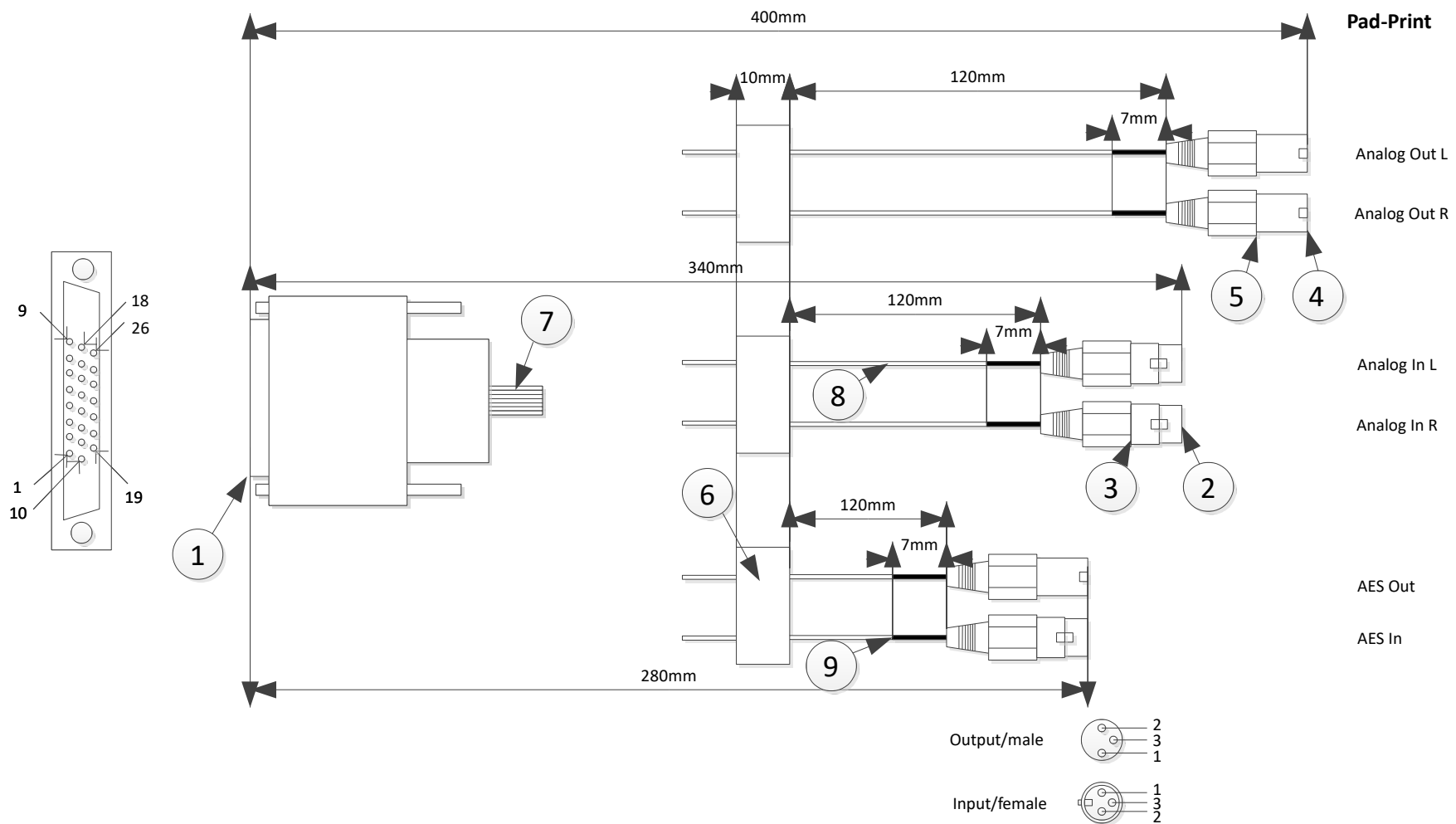


# Cable type: „Clara B“



26 XLRFemale Pad-Print			
Plug			
20	Black (p)	2	
19	White (n)	3	Analog In L
11	Shield	1	
5	Black (p)	2	
4	White (n)	3	Analog In R
14	Shield	1	
9	Black (p)	2	
8	White (n)	3	AES In
17	Shield	1	
XLRMale			
7	Black (p)	2	
6	White (n)	3	Analog Out L
15	Shield	1	
2	Black (p)	2	
1	White (n)	3	Analog Out R
10	Shield	1	
26	Black (p)	2	
25	White (n)	3	AES Out
18	Shield	1	

Note 1: Connect shield with XLR connector housing!

ITEM	Description	QTY.	UNIT
1	HD26 MALE/PLUG CONNECTOR, BLACK MOLED PVC HOOD	1	PCS
2	XLR 3 PIN FEMALE, SILVER CONNECTOR	3	PCS
3	SILVER METAL HOOD W/ BLACK SCREW-ON BOOT	3	PCS
4	XLR 3 PIN MALE, SILVER CONNECTOR	3	PCS
5	SILVER METAL HOOD W/ Black SCREW-ON BOOT	3	PCS
6	BLACK HEAT SHRINK TUBING	3	PCS
7	[28 AWG*1P (BLACK & WHITE)+AE SHIELD, BLACK PVC JACKET O.D=3.5mm]*16	SEE	DWG
8	PAD PRINT	6	PCS
9	BLACK HEAT SHRINK TUBING	6	PCS
Cable:	Clara B		
Rev:	V2-01		
Date:	18.10.2023		
Autor:	Peter Hofmann		